

Available models: 1000-1400



TWIN ROTAWEIGH

- ✓ Accuracy: ± 0.5%
- ✓ Material moisture < 1 %
- ✓ Particle size < 1 mm
- ✓ Modular diameter
- ✓ Easy maintenance and commissioning
- ✓ Patent CH1903/81-4 20/03/1981



- Kiln Feeding :**
Raw meal
Cement blending
- Mills additive :**
Fly ash
Ground slag
Filter dust
Limestone

- ✓ Complete tightness
- ✓ Material quantity measured over 360°
- ✓ Easily removable wear elements
- ✓ ABS system thanks to drive integrated torque limiter
- ✓ Rotation control
- ✓ High temperature version

OPTIONS :

- ✓ Digital load cells
- ✓ ATEX version
- ✓ Maintenance kit

Function

The TWIN ROTAWEIGH is a double level rotary weighfeeder.

The material is fed by the top of the TWIN ROTAWEIGH, directly from a silo, a surge bin or through a prefeeder.

Then it is conveyed by rotation over half a revolution, to an intermediate opening giving the way to a second level, where, after another half revolution, it reaches the outlet. The neutral point of the weighing system is in line with the inlet in order to exclude influences of the material above the TWIN ROTAWEIGH.

The rotation speed is adjusted to get the measured flow constant and equal to the given set point.



8, 10 or 12 cells on each level according to the minimum flowrate.

Controller

Informations and signals from the feeder sensors are processed in the SCM controller which calculates the flowrate, the totalization and the regulation signal.

Detailed alarm informations are obtained via the display (SDU).

Field version SCM2F-260.001-E
or panel version SCM2P-260.001-E



SCM2-Panel

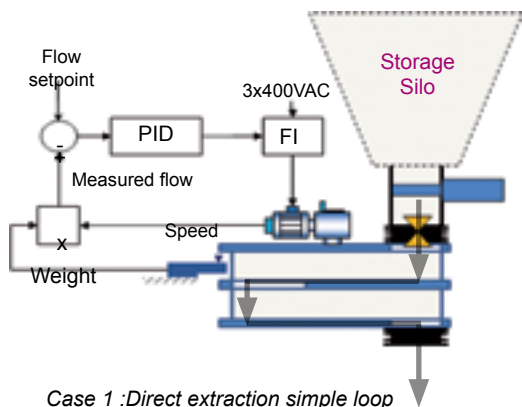


SCM2-Field

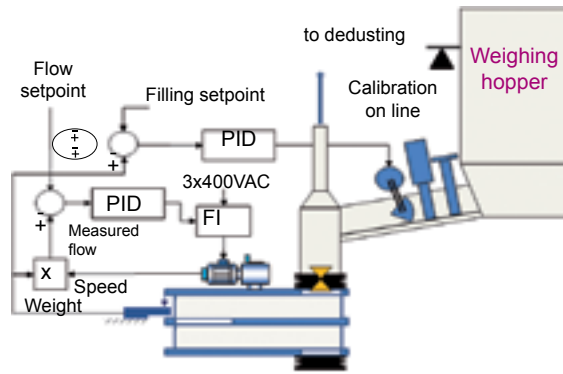


SDU console

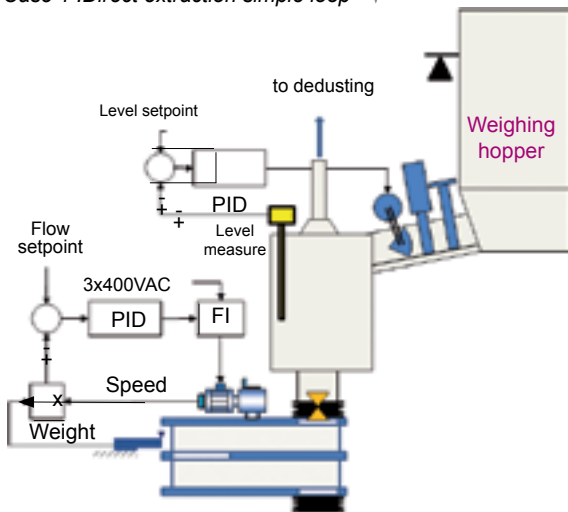
Examples for feeding



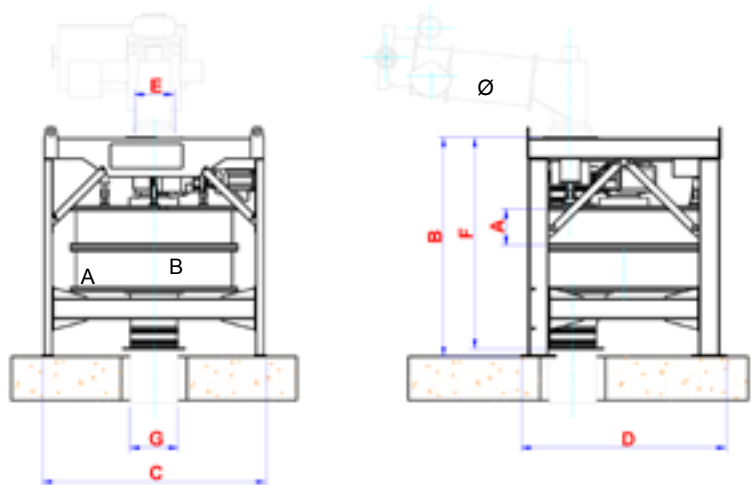
Case 1 : Direct extraction simple loop



Case 2 : Extraction by prefeeder double regulation loop



Extraction by prefeeder with buffer, double regulation loop



Dimensions and drawings are not contractual and can be modified at any time without advance notice.

Technical Details

Dimensions and flow ranges

	Dimension	Unit	MODEL	
			1000	1400
Height upper rotor.	A	mm	210	330
total Height	B	mm	1504	2000
Lenght	C	mm	1775	2040
Depth	D	mm	1350	1764
Entry diameter	E	mm	260	340
Height Entry/Exit	F	mm	1504	1933
Exit diameter	G	mm	260	400
Max. Flowrate (case 1 and 3)	-	m ³ /h	46	150
Max. Flowrate (case 2)	-	m ³ /h	23	75
Approximate Poxer	-	KW	2,2	3,0
Weight	-	kg	2000	4100

Materials of construction :

Frame, stator and rotors : Steel

Sealing removable parts : depend on the application. (ie : highly abrasive materials).

Protection class for electrical components : IP65

HASLER Group

Headquarter
Zi de l'abbaye
38780 PONT-EVEQUE - France

Tel. +33 (0)4 74 16 11 50
Fax +33 (0)4 74 16 11 55
E-mail: sales.fr@hasler-int.com

Our addresses are on:
www.hasler-int.com